



RDW

Vehicle Technology Division

THE NETHERLANDS  
(N E D E R L A N D)



COMMUNICATION

Concerning : ~~APPROVAL GRANTED~~  
~~APPROVAL EXTENDED~~  
~~APPROVAL REFUSED~~  
~~APPROVAL WITHDRAW~~  
~~APPROVAL DEFINITELY DISCONTINUED~~

of a type of pneumatic tyre for motor cycles pursuant to Regulation No. 75

**Approval No. : E4-75R-0008196**

**Extension:01**

1. Manufacturer's name or trade mark on the tyre : GOLDSPEED
2. Tyre type designation by the manufacturer : M985
3. Manufacturer's name and address : Cheng Shin Rubber Ind. Co., Ltd.  
215 , Meei-Kong Road , Ta-Tsun ,  
Chang-Hwa , Taiwan , R.O.C.
4. If applicable , name and address of  
manufacturer's representative : Maxxis Tech Center Europe B.V.  
Weverstraat 5 5405 BM Uden.  
The Netherlands.
5. Summarized description
  - 5.1 Tyre size designation : 225/75 - 12 ( AT26X9 - 12 ) 6PR
  - 5.2 Category of use : ~~normal~~/snow/~~special~~/~~moped~~
  - 5.3 Structure : ~~diagonal~~/~~bias belted~~/~~radial~~
  - 5.4 Speed category symbol : N
  - 5.5 Load-capacity index : 49



**Approval No. : E4-75R-0008196**

**Extension:01**

6. Technical service and, where applicable, test laboratory approved for purposes of approval or verification of conformity

RDW, Vehicle Technology & Information Centre  
P.O.Box 777  
: 2700AT Zoetermeer  
The Netherlands

7. Date of report issued by that service

: 27 August 2012

8. Number of report issued by that service

: V-559

9. Reason(s) approval extension (if applicable)

: corrected Category of use

10. Any remarks

: —

11. Place

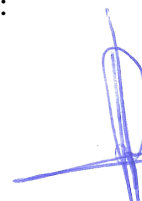

: Zoetermeer

12. Date

: 12-18-2013

13. Signature

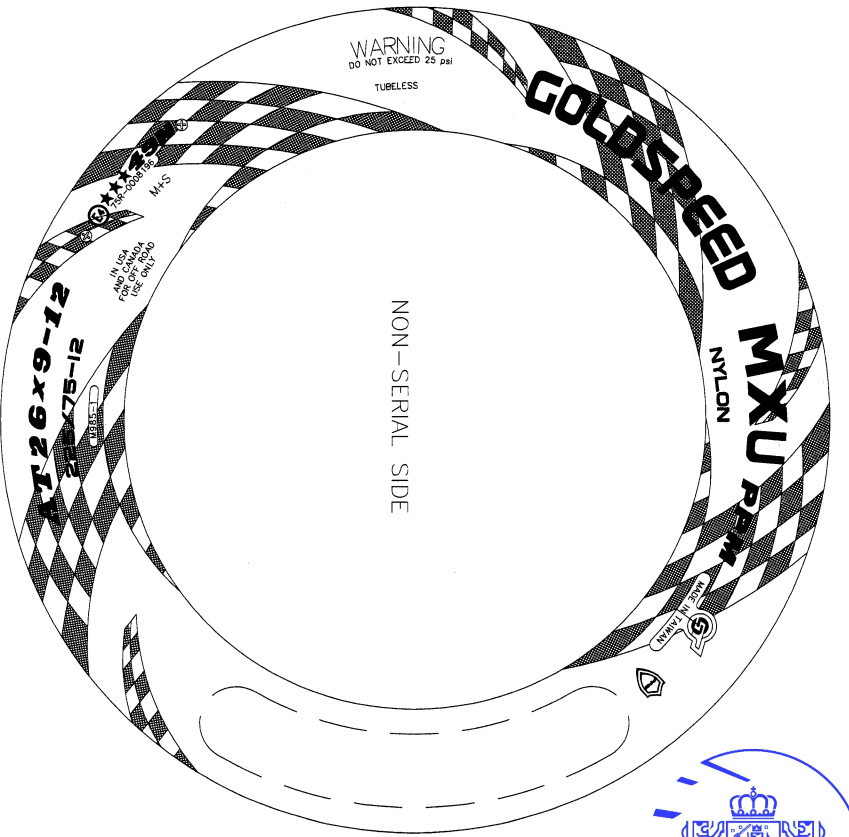
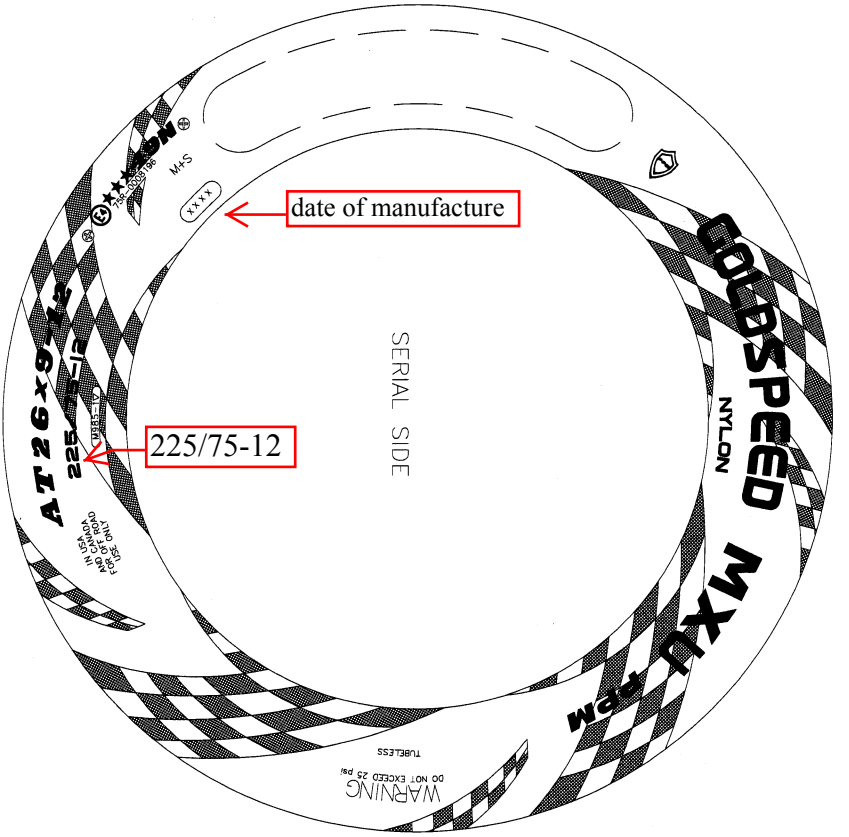
:

  
  
Richard van Wingerde

14. The list of documents in the approval file which are deposited at the administrative service having delivered the approval and which can be attained upon request:

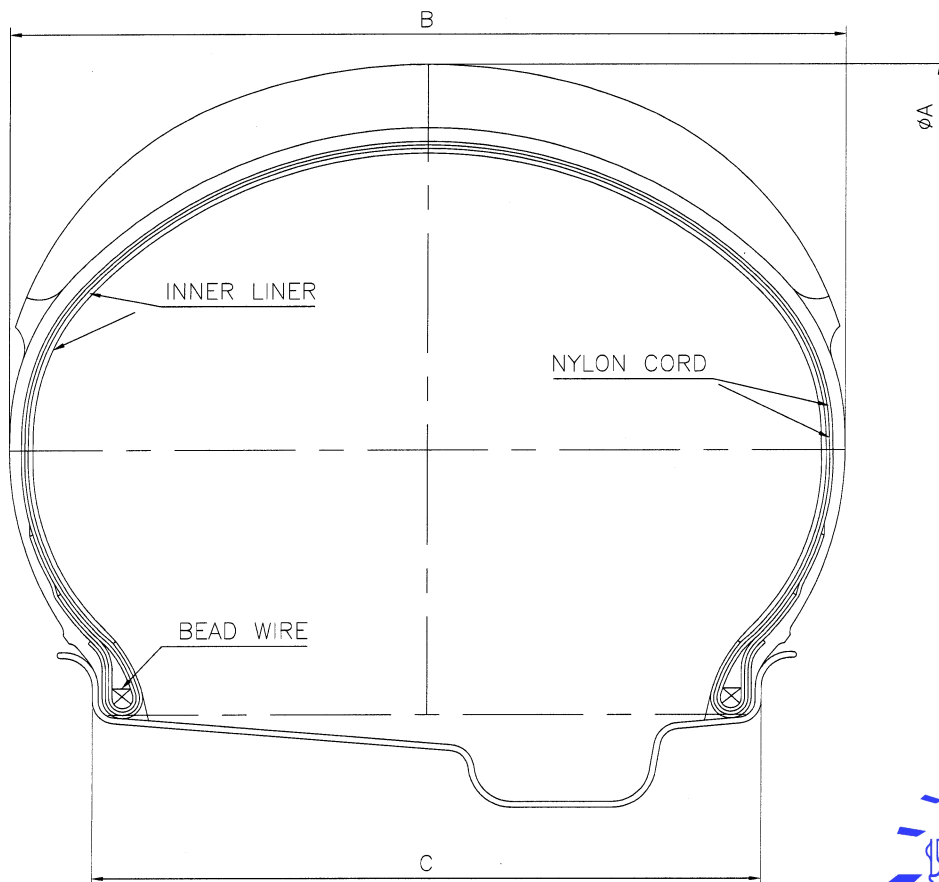
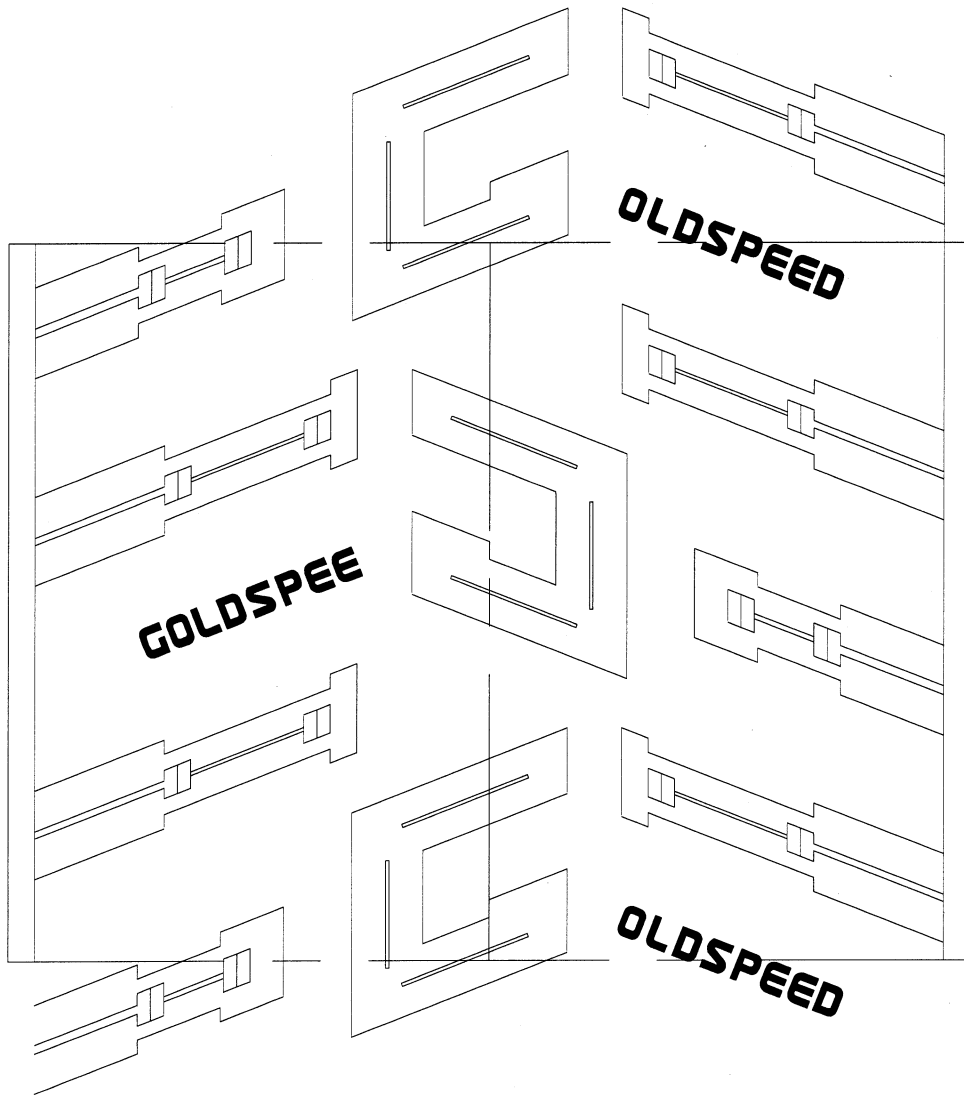
Application form , relating to ECE approval for a pneumatic tyre pursuant Regulation No.75

- A drawing of the tyre's side walls and dimensioned cross section
- The test report as mentioned in item 8



N	AT26X9-12	49	-	TL	639~681	MAX. 243	7.0	75R-0008196		
SPEED	TIRE SIZE	LOAD CAP. INDEX	TYPE	A	B	C	APPROVAL NO.			
CAT.			TT	TL	mm	mm	inches	E4	e	REMARKS

TREAD PATTERN:M985		DRAWING NO.	DATE	CHECKED
PLIES TREAD:2PLIES NYLON				
PLIES SIDEWALL:2PLIES NYLON				
		V-559	2013.11.11	<i>Stokholm</i>



AT26X9-12 M985

